

Robot Arm Clamp

▶ Robot Wiring

RACseries

Features

- Fixes cables and tubes around the robot.
- Follows the robot's movements and reduces the load on cables.
- Flexible and non-slip material fits to various arm shapes and prevents shifting of position.



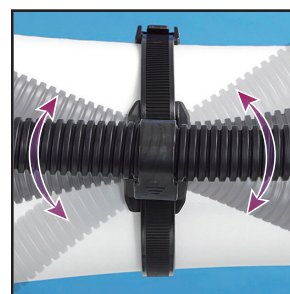
Fixes wiring tubes.



Fixes cables and air tubes.

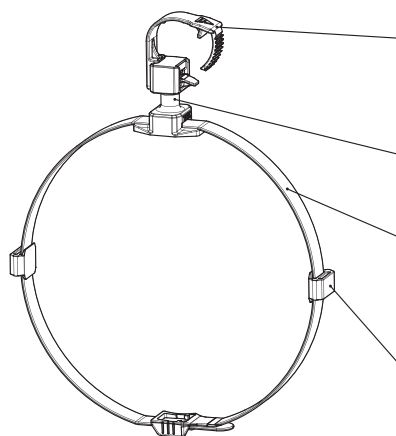


The belt can be easily removed.



Follows the robot's movements and reduces the load on cables and other parts.

RAC-1 For fixing wiring tubes (1set)



Clamp

Material : PA
Applicable tube diameter : $\phi 16\text{mm} \sim \phi 20\text{mm}$

Base

Material : Elastomer

Belt

Material:PA
Applicable arm diameter : Max $\phi 150\text{mm}$

Belt stopper (2pcs)

Material:Elastomer

Recommended tube

- ST-13,ST-15(With slit)
- ※Without slit is also available.

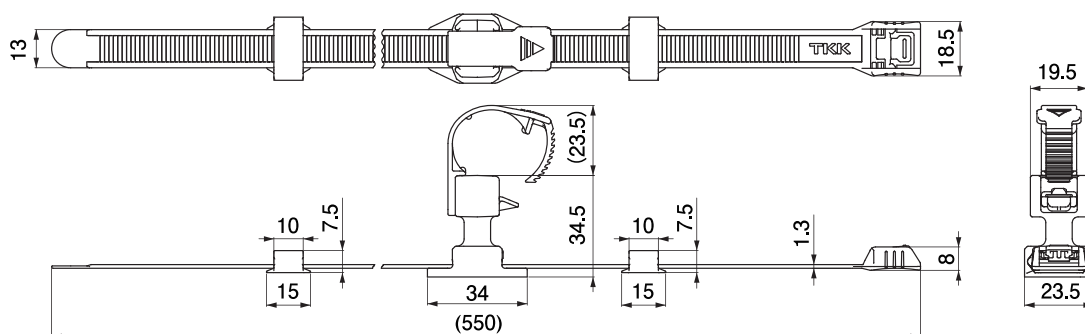
【Cautions for use】

Use within the operating temperature range (-10 to 60°C).

※For use in special environments such as oil or chemicals, please contact us for more details.

Contents per package: 5 sets

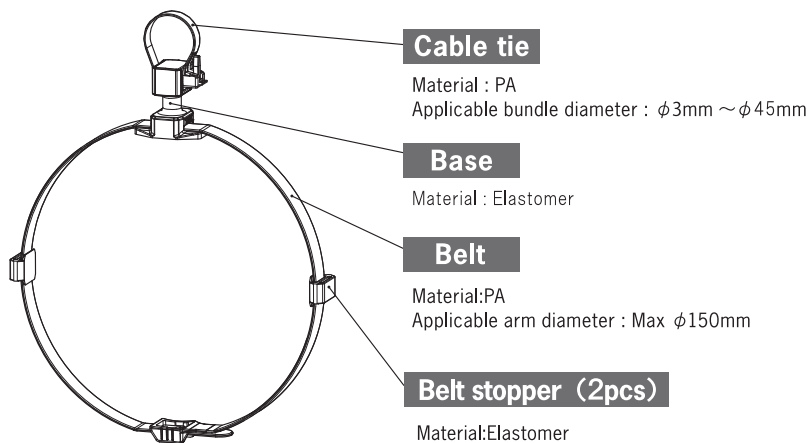
specification



Robot Arm Clamp

▶ Robot Wiring

RAC-2 For fixing cables and air tubes (1set)



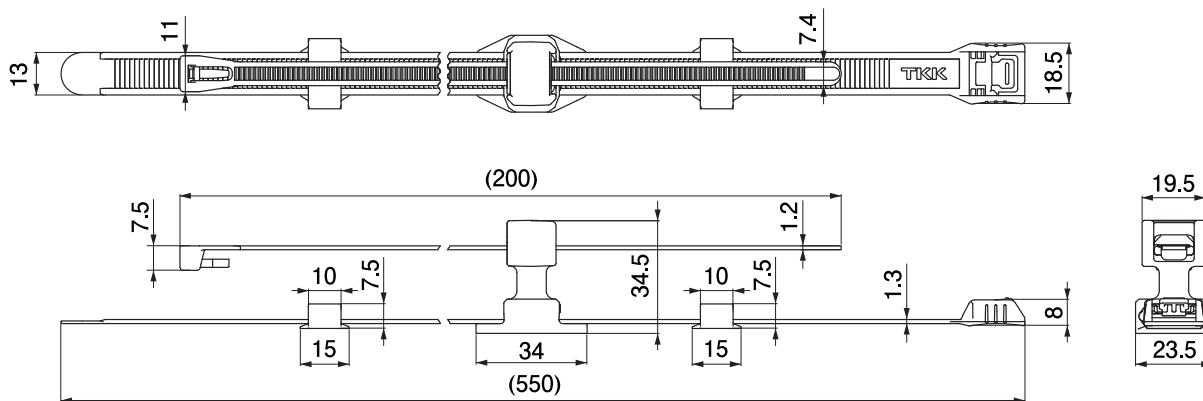
【Cautions for use】

Use within the operating temperature range (-10 to 60° C).

※For use in special environments such as oil or chemicals, please contact us for more details.

Contents per package: 5 sets

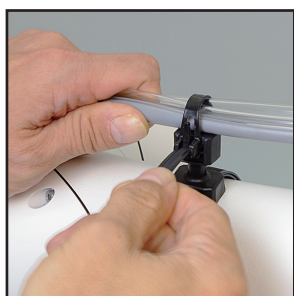
specification



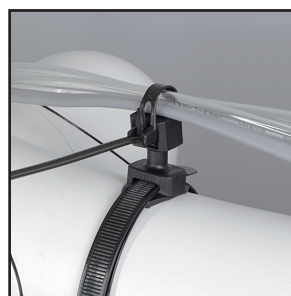
How to use cable ties



1. Thread the cable ties through the base.



2. Bind cables and air tubes.



3. Cut the excess length.



4. Completed